

# PARTS LIST

MS330ECH2-CA

## CONTENTS

1. MAIN BODY .....	1 ~ 2
2. POWER SPRAYER (Crankcase, Suction Valve).....	3 ~ 4
3. POWER SPRAYER (Pressure Regulator Valve) .....	5 ~ 6
4. ACCESSORIES .....	7 ~ 8

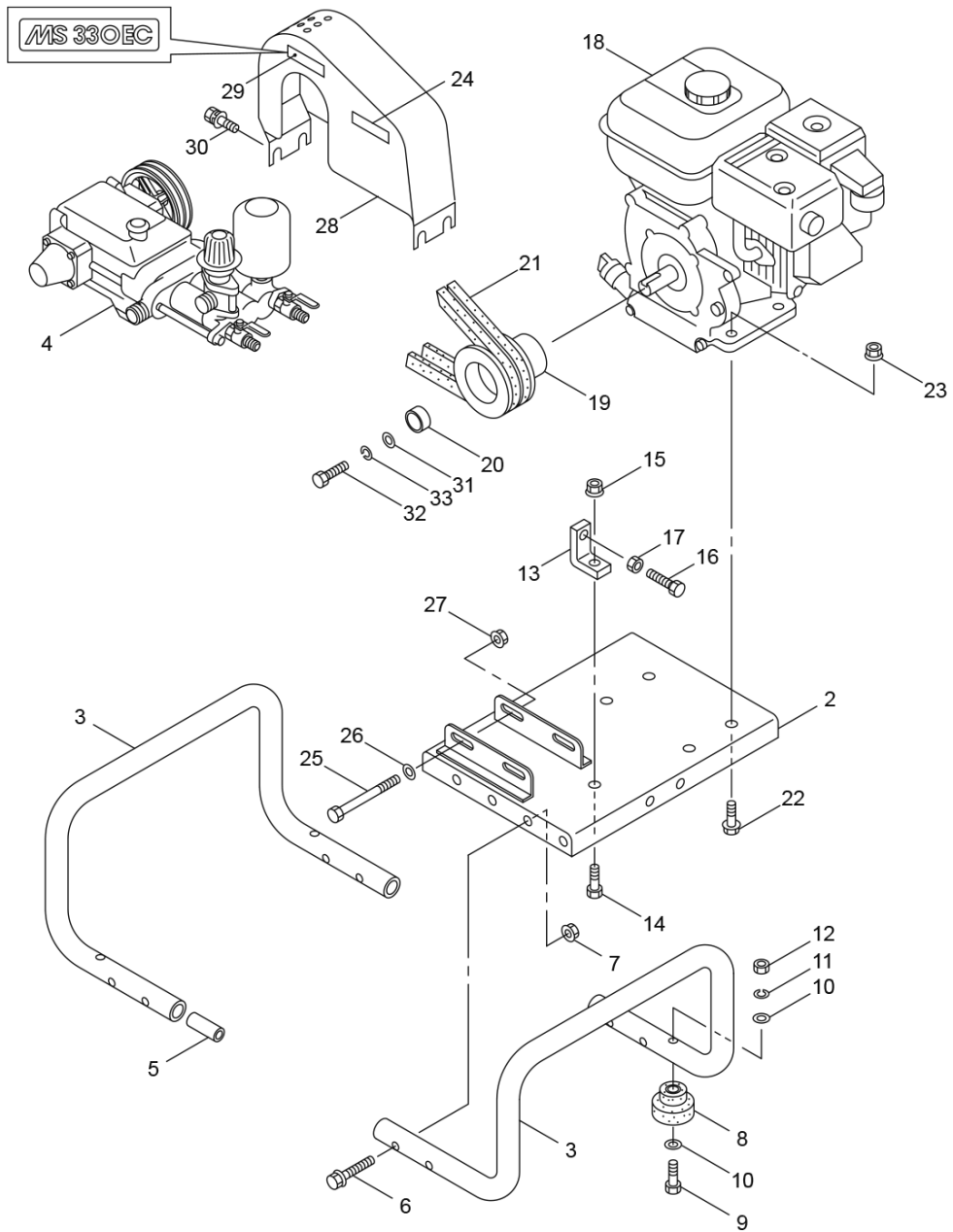
2011. 01.



**MARUYAMA**

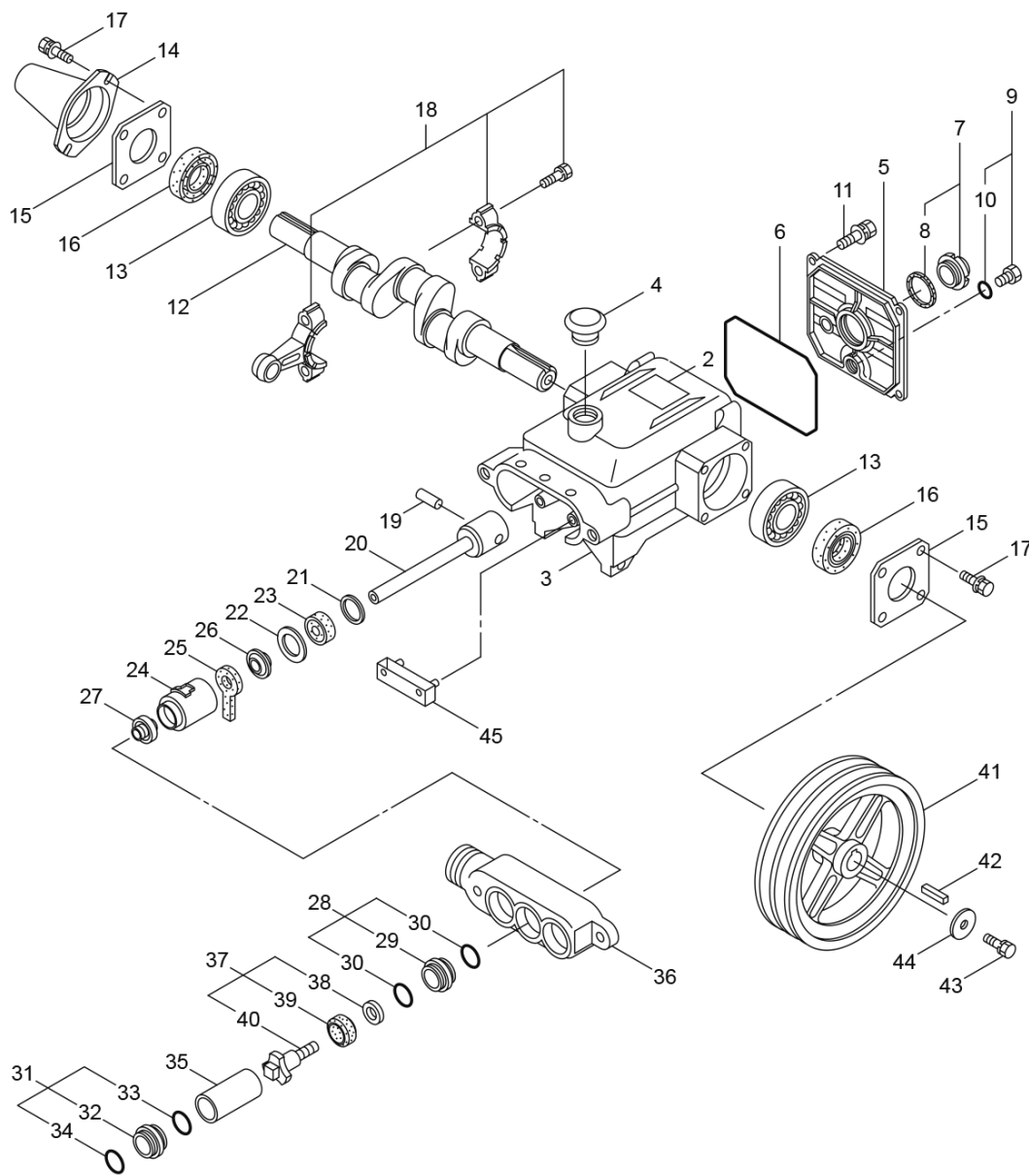
P/N 523164

1. MS330ECH2-CA  
MAIN BODY



Status	Position	Parts Number	Parts Name	Unit Quantity	Lot Order Quantity	Remarks	Maker code
	1	358261	MS330ECH2-CA(MUS)	1			
	2	543615	BASE	1			
x	3	543655	HANDLE	2			
	5	549756	PIPE	2		17.9x21.7x56L	
	6	080143	BOLT M8X40	8	5	M8x40	
	7	126201	HEX FANGE NUT	8	5	M8	
	8	544019	BUFFER	4			
	9	080151	BOLT (M8X50X22)	4	5	M8x50x22	
	10	127216	WASHER	4	5	M8	
	11	126232	WASHER SPRING	4	10	M8	
	12	126521	NUT	4	5	M8	
	13	549757	BELT TENSION PLATE	1			
	14	126529	HEX HEAD CAP SCREW M8X20	1	5	M8x20	
	15	126201	HEX FANGE NUT	1	5	M8	
	16	549754	BOLT M8X60	1	5	M8x60	
	17	126521	NUT	1	5	M8	
	18	831311		1		GX120U1-LXM2	
	19	114514	V-PULLEY	1		72-Ax2	
	20	549758	COLLAR	1		25x34x10L	
	21	028862	V-BELT A-24	2		A24	
	22	549532	BOLT	4	5	M8x35	
	23	126201	HEX FANGE NUT	4	5	M8	
	24	123043		1			
	25	126200	HEX HEAD SCREW	2		M8x115x30	
	26	127216	WASHER	2	5	M8	
	27	126201	HEX FANGE NUT	2	5	M8	
△	28	543564	BELT COVER	1			
	29	542108	LABEL	1		MS330EC	
	30	125824	BOLT	4	5	M6x16	
	31	090116	WASHER	1	5	8.5x34x3.2	
	32	128213	SCREW HEX	1	5	M8x25	
	33	126232	WASHER SPRING	1	10	M8	

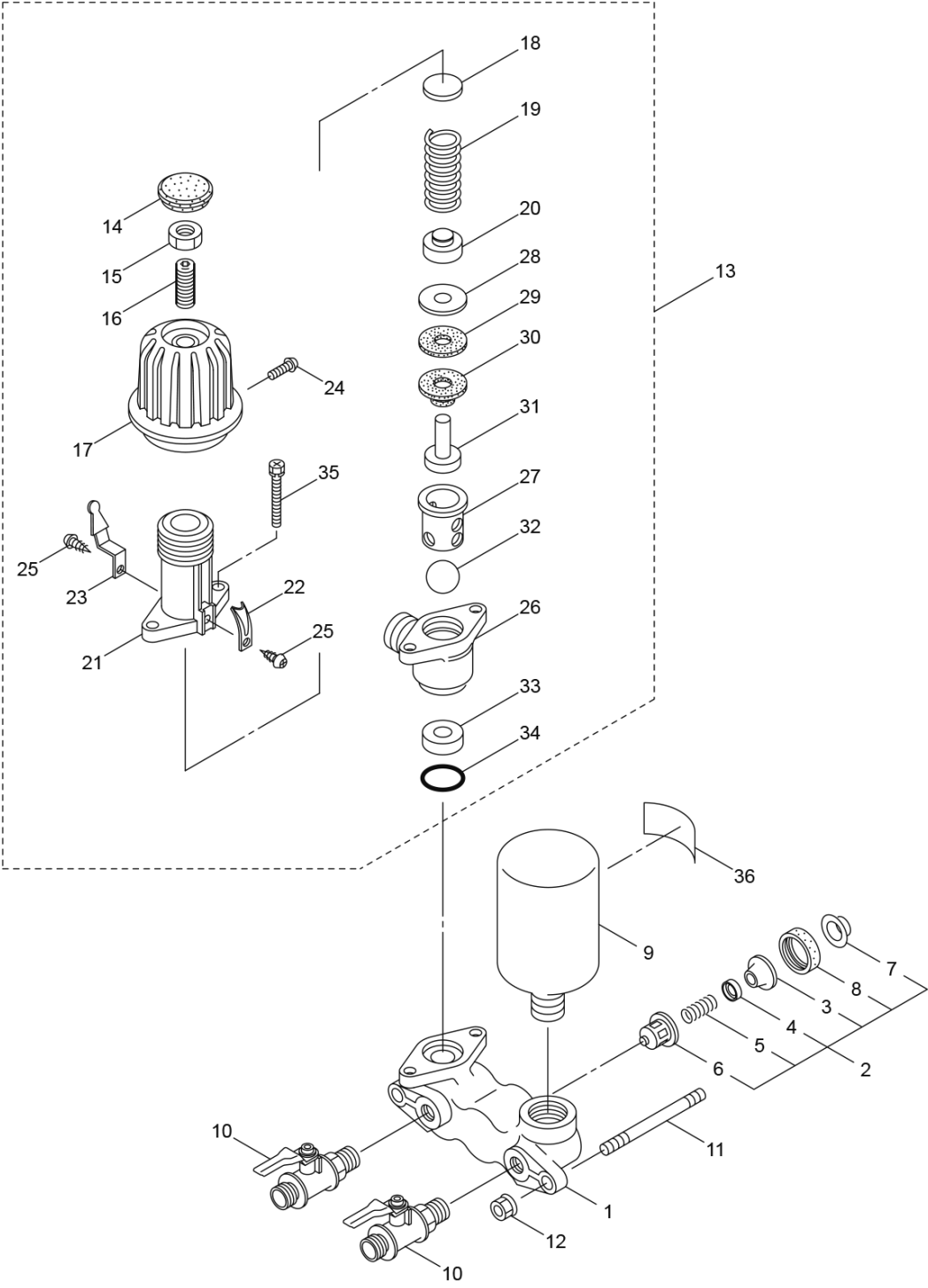
2. MS330ECH2-CA  
POWER SPRAYER (Crankcase, Suction Valve)



Status	Position	Parts Number	Parts Name	Unit Quantity	Lot Order Quantity	Remarks		Maker code
	2	119691	LABEL	1		MS330		
	3	118176	CRANKCASE	1				
	4	117420	CAP	1				
△	5	118646	REAR COVER CRANKCASE	1				
	6	014041	O-RING	1		S100		
	7	092241	OIL GAUGE	1		Incl.8		
	8	044428	PACKING	1	5	25x34xt2.5		
	9	091376	PLUG ASSY	1		Incl.10, G1/4		
	10	023170	O-RING	1	5	P12.5		
	11	125824	BOLT	4	5	M6x16		
	12	103921	CRANKSHAFT	1				
	13	014487	BEARING 6304	2		#6304		
	14	025130	SHAFT-PROTECTOR	1				
	15	117424	PLATE	2				
	16	117423	OIL SEAL	2		TC20528		
	17	125824	BOLT	4	5	M6x16		
	18	048734	ROD CONNECTING TNM	3				
	19	016948	PIN ROD	3		9x22L		
	20	118183	PISTON	3				
	21	126259	WASHER	3	5	17x24xT1.2		
	22	126189	WASHER	3	5	20x28xT1.2		
	23	025461	OIL SEAL S10 5 24 7	3		S10.5247		
	24	027710	RETAINER SEAL	3				
	25	027711	WICK LONG TAB / FELT PACKING	3	5			
	26	026853	PACKING	3	5			
	27	100015	SEAL PACKING	3				
	28	091109	ADAPTER(S)	3		Incl.29,30		
	29	016957	PIPE RECEIVER	3				
	30	015862	O-RING P21	6	5	P21		
	31	091108	ADAPTER(D)	3		Incl.32-34		
	32	022931	PIPE RECEIVER	3				
	33	015862	O-RING P21	3	5	P21		
	34	023172	O-RING	3	5	P22		
	35	022929	CYLINDER PIPE	3		25x28.5x55L		
	36	027713	INLET MANIFOLD	1				
	37	620661	A-BLOCK	3		Incl.38-40		
	38	124277	MACHINED DISC	3		6.1x20xt2.8		
	39	116121	CUP PISTON MACHINED	3				
	40	118628	PISTON RETAINER	3				
	41	100837	V-PULLEY	1		152-Ax2		
	42	014543	KEY	1	5	5x5x25L		
	43	126258	HEX HEAD SCREW	1	5	M8x20		

Status	Position	Parts Number	Parts Name	Unit Quantity	Lot Order Quantity	Remarks		Maker code
	44	126198	WASHER	1	5	8.5x30xT3.2		
	45	027712	OIL PAN	1				

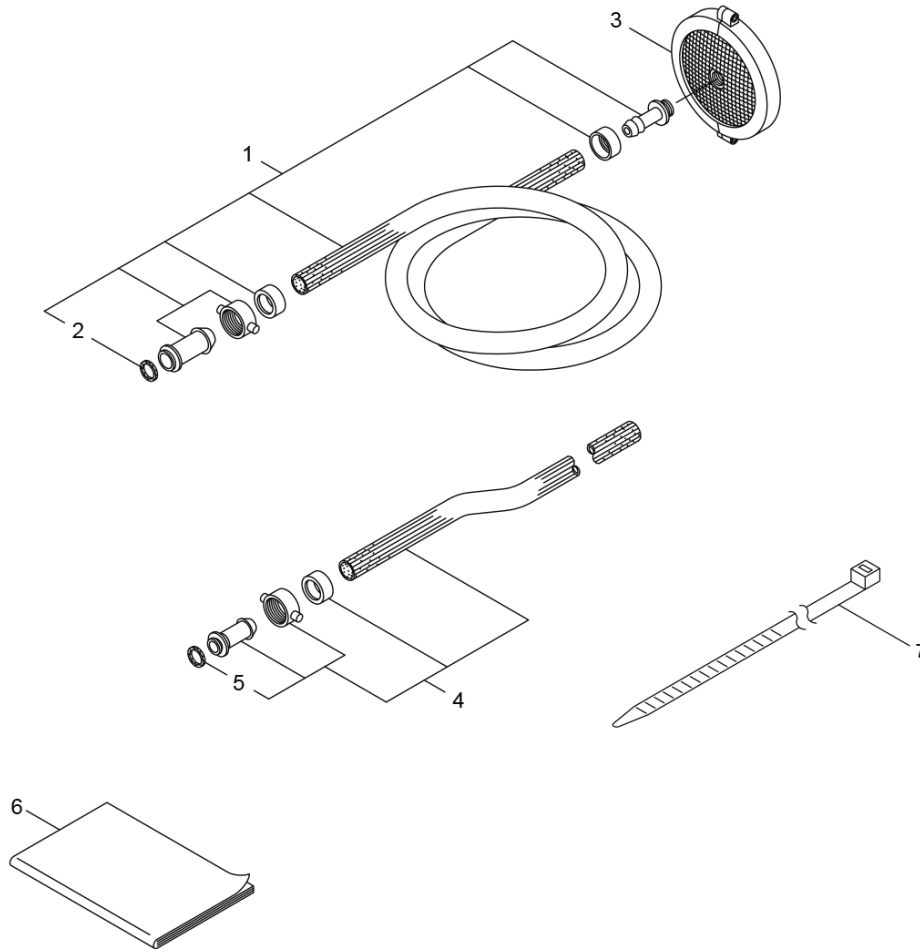
3. MS330ECH2-CA  
 POWER SPRAYER (Pressure Regulator Valve)



Status	Position	Parts Number	Parts Name	Unit Quantity	Lot Order Quantity	Remarks		Maker code
	1	118409	DISCHARGE MANIFOLD	1				
	2	105510	MACHINED DISC ASSY	3		Incl.3-8		
	3	105511	MACHINED DISC	3				
	4	022842	MACHINED DISC	3				
	5	022031	SPRING	3				
	6	105512	RETAINER	3				
	7	105513	PACKING RING	3				
	8	105514	HOUSING	3				
	9	117813	AIR CHAMBER	1				
	10	117609	LEVER ASSY	2		G1/4xR1/4		
	11	127331	STUD BOLT	2		M8x150x11x18		
	12	126201	HEX FANGE NUT	2	5	M8		
x	13	123042	PRESSURE REGULATOR	1		Incl.14-35		
	14	105518	CAP	1	5			
	15	126195	NUT	1	5	M10		
	16	088975	HEX. SOCKET HEAD SCREW	1		M10x48		
	17	118662	GRIP	1				
	18	126196	P.R.SPRING SEAT	1	10	17x2.3		
	19	105520	SPRING	1				
	20	105521	RETAINER	1				
	21	117448	CASE	1				
	22	117440	PLATE	1				
	23	105524	PRESSURE INDICATOR	1				
	24	089899	SCREW(+)	2	10	M4x13		
△	25	082744	SCREW	2	10	M4x6		
	26	118237	P.R.V.BODY	1				
	27	012256	SACK	1				
	28	012255	BELLOWS WASHER	1	5	6.2x22xt0.6		
	29	101922	BELLOWS PACKING	1		5x22xt1.5, FPM		
	30	060555	BELLOWS	1		FPM		
	31	016975	ROD	1				
	32	107238	BALL	1		12.7(1/2)		
	33	117443	SEAT	1				
	34	014179	O-RING	1	5	P20		
	35	126197	BOLT	2	5	M6x55		
△	36	123041		1				



4. MS330ECH2-CA  
ACCESSORIES



Status	Position	Parts Number	Parts Name	Unit Quantity	Lot Order Quantity	Remarks		Maker code
	1	105936	SUCTION HOSE ASSY	1		Incl.2		
	2	103686	PACKING	1	5	18.5x24xt2		
	3	122017	SUCTION STRAINER ASSY	1				
	4	104344	SPILL HOSE ASSY	1		Incl.5		
	5	103685	GASKET FILLER CAP	1	5	12x18.5xt1.5		
	6	119675	MANUAL FOR MS330	1				
	7	107107	BAND	1				